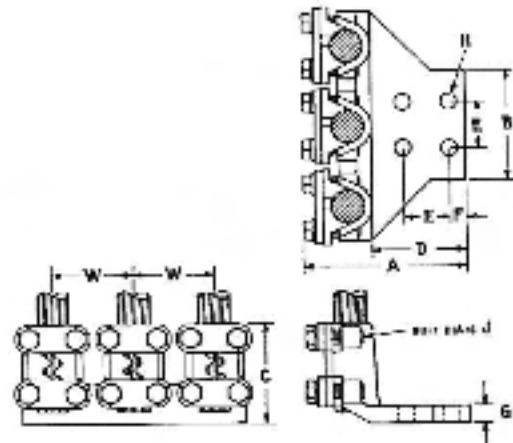
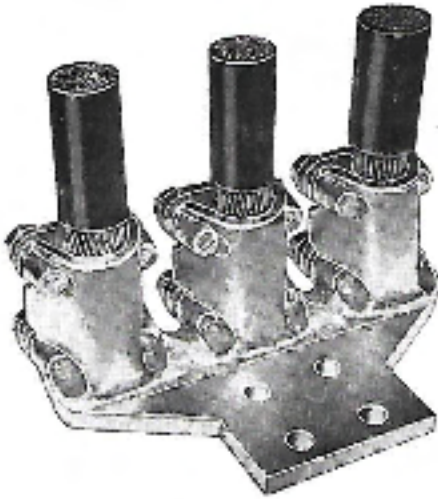


TYPE 3PA-90

Terminal Lug – three cables/tube 90°



Patented

| Cat. No. | Cable Range | | Holes in Tongue | Dimensions in Inches | | | | | | | | | |
|----------|-------------|---------|-----------------|----------------------|-----------------|-----------------|-----------------|-----------------|---------------|---------------|---------------|---------------|-----------------|
| | Min. | Max. | | A | B | C | D | E | F | G | H | J | W |
| 3P4A4N90 | 2/0 Str. | 350MCM | 4 | 5 $\frac{1}{8}$ | 3 $\frac{1}{2}$ | 3 $\frac{3}{8}$ | 3 $\frac{3}{8}$ | 1 $\frac{3}{4}$ | $\frac{5}{8}$ | $\frac{3}{8}$ | $\frac{3}{8}$ | $\frac{1}{2}$ | 2 $\frac{5}{8}$ |
| 3P5A4N90 | 350MCM | 600MCM | 4 | 5 $\frac{1}{2}$ | 4 | 3 $\frac{3}{8}$ | 3 $\frac{3}{8}$ | 1 $\frac{3}{4}$ | $\frac{5}{8}$ | $\frac{3}{8}$ | $\frac{3}{8}$ | $\frac{1}{2}$ | 2 $\frac{5}{8}$ |
| 3P6A4N90 | 600MCM | 1000MCM | 4 | 6 | 4 | 3 $\frac{5}{8}$ | 3 $\frac{1}{2}$ | 1 $\frac{3}{4}$ | $\frac{5}{8}$ | $\frac{1}{2}$ | $\frac{3}{8}$ | $\frac{1}{2}$ | 3 |
| 3P7A4N90 | 1000MCM | 1500MCM | 4 | 6 $\frac{1}{2}$ | 4 | 3 $\frac{7}{8}$ | 3 $\frac{5}{8}$ | 1 $\frac{3}{4}$ | $\frac{5}{8}$ | $\frac{3}{8}$ | $\frac{3}{8}$ | $\frac{1}{2}$ | 3 $\frac{1}{2}$ |
| 3P8A4N90 | 1500MCM | 2000MCM | 4 | 7 $\frac{1}{4}$ | 4 $\frac{1}{2}$ | 4 $\frac{1}{8}$ | 4 | 1 $\frac{3}{4}$ | $\frac{5}{8}$ | $\frac{3}{8}$ | $\frac{3}{8}$ | $\frac{1}{2}$ | 3 $\frac{5}{8}$ |

- Tabulated Dimensions are in inches and are approximate only.
- Sizes not shown available on request.
- Blank tongue available on request.
- "N" in catalog number denotes NEMA standard drilling.