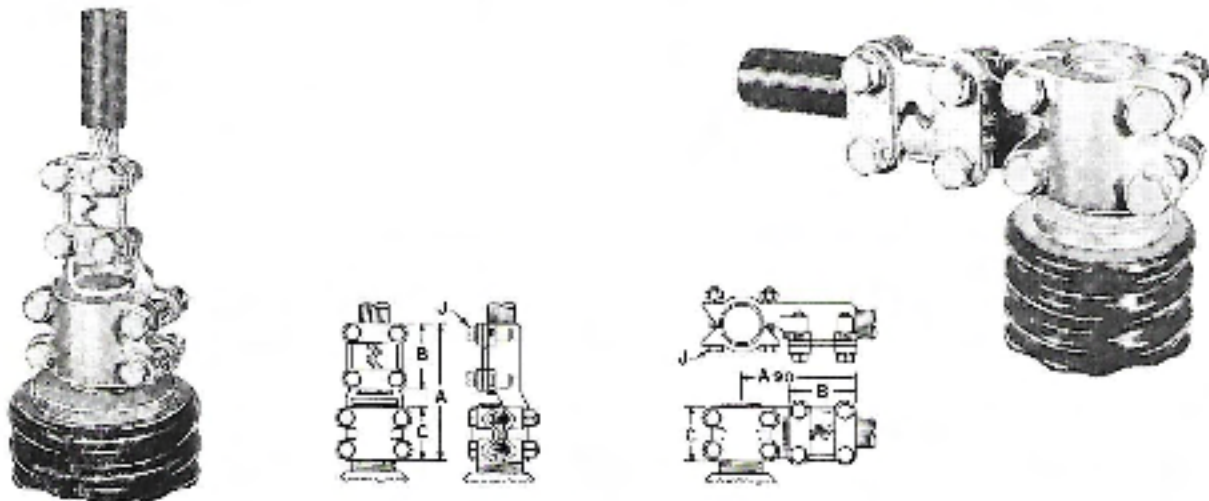


## TYPE PST

### Stud Connectors for cable/tube



Catalog No.		Stud Size	Cable Range		Dimensions in Inches				
PST	PST90		Min.	Max.	A	A90	B	C	J
P2ST6	P2ST690	2-12	#4 Str.	2/0 Str.	5 $\frac{5}{8}$	4 $\frac{3}{4}$	2 $\frac{3}{8}$	2 $\frac{1}{2}$	$\frac{1}{2}$
P4ST6	P4ST690	2-12	2/0 Str.	350MCM	6 $\frac{1}{8}$	5 $\frac{1}{8}$	2 $\frac{3}{8}$	2 $\frac{1}{2}$	$\frac{1}{2}$
P5ST6	P5ST690	2-12	350MCM	600MCM	6 $\frac{1}{8}$	5 $\frac{1}{8}$	2 $\frac{3}{8}$	2 $\frac{1}{2}$	$\frac{1}{2}$
P6ST6	P6ST690	2-12	600MCM	1000MCM	6 $\frac{3}{8}$	5 $\frac{5}{8}$	3	2 $\frac{1}{2}$	$\frac{1}{2}$
P7ST6	P7ST690	2-12	1000MCM	1500MCM	6 $\frac{1}{2}$	5 $\frac{1}{2}$	3 $\frac{1}{8}$	2 $\frac{1}{2}$	$\frac{1}{2}$
P8ST6	P8ST690	2-12	1500MCM	2000MCM	6 $\frac{1}{2}$	5 $\frac{1}{2}$	3 $\frac{3}{8}$	2 $\frac{1}{2}$	$\frac{1}{2}$
P2ST7	P2ST790	2 $\frac{1}{2}$ -12	#4 Str.	2/0 Str.	5 $\frac{7}{8}$	5 $\frac{1}{4}$	2 $\frac{3}{8}$	2 $\frac{3}{4}$	$\frac{1}{2}$
P4ST7	P4ST790	2 $\frac{1}{2}$ -12	2/0 Str.	350MCM	6 $\frac{3}{8}$	5 $\frac{5}{8}$	2 $\frac{3}{4}$	2 $\frac{3}{4}$	$\frac{1}{2}$
P5ST7	P5ST790	2 $\frac{1}{2}$ -12	350MCM	600MCM	6 $\frac{3}{8}$	5 $\frac{5}{8}$	2 $\frac{3}{4}$	2 $\frac{3}{4}$	$\frac{1}{2}$
P6ST7	P6ST790	2 $\frac{1}{2}$ -12	600MCM	1000MCM	6 $\frac{3}{8}$	5 $\frac{1}{2}$	3	2 $\frac{3}{4}$	$\frac{1}{2}$
P7ST7	P7ST790	2 $\frac{1}{2}$ -12	1000MCM	1500MCM	6 $\frac{3}{4}$	6	3 $\frac{3}{8}$	2 $\frac{3}{4}$	$\frac{1}{2}$
P8ST7	P8ST790	2 $\frac{1}{2}$ -12	1500MCM	2000MCM	6 $\frac{1}{2}$	6 $\frac{3}{8}$	3 $\frac{3}{8}$	2 $\frac{3}{4}$	$\frac{1}{2}$
P2ST8	P2ST890	3-12	#4 Str.	2/0 Str.	6 $\frac{1}{8}$	6 $\frac{1}{4}$	2 $\frac{3}{8}$	3	$\frac{1}{2}$
P4ST8	P4ST890	3-12	2/0 Str.	350MCM	6 $\frac{5}{8}$	7 $\frac{1}{8}$	2 $\frac{3}{8}$	3	$\frac{1}{2}$
P5ST8	P5ST890	3-12	350MCM	600MCM	6 $\frac{5}{8}$	7 $\frac{1}{8}$	2 $\frac{3}{8}$	3	$\frac{1}{2}$
P6ST8	P6ST890	3-12	600MCM	1000MCM	6 $\frac{5}{8}$	7 $\frac{5}{8}$	3	3	$\frac{1}{2}$
P7ST8	P7ST890	3-12	1000MCM	1500MCM	7	7 $\frac{1}{2}$	3 $\frac{3}{8}$	3	$\frac{1}{2}$
P8ST8	P8ST890	3-12	1500MCM	2000MCM	7 $\frac{1}{8}$	7 $\frac{1}{8}$	3 $\frac{3}{8}$	3	$\frac{1}{2}$

- Sizes not shown available on request.
- Smooth bore available on request.
- Tabulated dimensions are in inches and are approximate only.