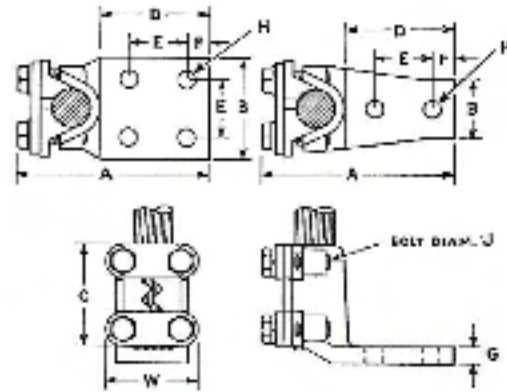
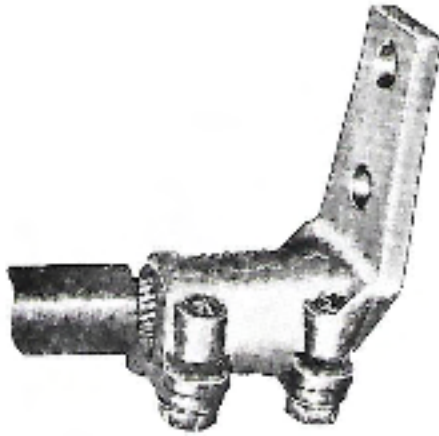


TYPE PA-90

Terminal Lug – one cable/tube 90°



Patented

Cat. No.	Cable Range		I. P. S.	Holes in Tongue	Dimensions in Inches									
	Min.	Max.			A	B	C	D	E	F	G	H	J	W
P2A2N90	#4 Str.	2/0 Str.	1/8	2	4 1/8	1 3/8	3	3 1/4	1 3/4	5/8	3/32	1/8	1/2	2 3/8
P2A4N90	#4 Str.	2/0 Str.	1/8	4	4 1/8	3	3	3 1/4	1 3/4	5/8	3/32	1/8	1/2	2 3/8
P4A2N90	2/0 Str.	350MCM	3/8	2	5 1/8	1 1/2	3 1/4	3 3/8	1 3/4	5/8	3/16	3/16	1/2	2 3/8
P4A4N90	2/0 Str.	350MCM	3/8	4	5 1/8	3	3 1/4	3 3/8	1 3/4	5/8	3/16	3/16	1/2	2 3/8
P5A2N90	350MCM	600MCM	1/2	2	5 1/2	1 1/2	3 3/8	3 3/8	1 3/4	5/8	3/8	3/16	1/2	2 3/8
P5A4N90	350MCM	600MCM	1/2	4	5 1/2	3	3 3/8	3 3/8	1 3/4	5/8	3/8	3/16	1/2	2 3/8
P6A2N90	600MCM	1000MCM	3/4	2	6	1 3/4	3 3/8	3 1/2	1 3/4	5/8	1/32	3/16	1/2	2 3/8
P6A4N90	600MCM	1000MCM	3/4	4	6	3	3 3/8	3 1/2	1 3/4	5/8	1/32	3/16	1/2	2 3/8
P7A2N90	1000MCM	1500MCM	1	2	6 1/4	2	3 7/8	3 7/8	1 3/4	5/8	3/16	3/16	1/2	2 13/16
P7A4N90	1000MCM	1500MCM	1	4	6 1/4	3	3 7/8	3 7/8	1 3/4	5/8	3/16	3/16	1/2	2 13/16
P8A2N90	1500MCM	2000MCM	1 1/4	2	7	2 1/4	4 1/8	3 3/4	1 3/4	5/8	5/8	3/16	1/2	3 1/8
P8A4N90	1500MCM	2000MCM	1 1/4	4	7	3	4 1/8	3 3/4	1 3/4	5/8	5/8	3/16	1/2	3 1/8

- Tabulated Dimensions are in inches and are approximate only.
- Sizes not shown available on request.
- Blank tongue available on request.
- "N" in catalog number denotes NEMA standard drilling.