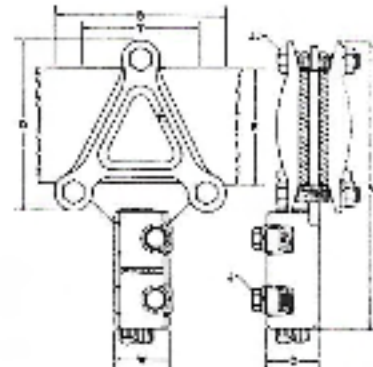
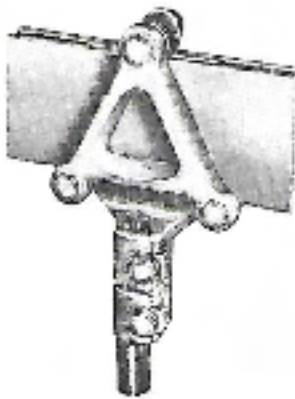


## TYPE AJJ

### Bar Tap



Cat. No.	Width of Bus Bars		Cable Range		Dimensions in Inches						
	R	T	Min.	Max.	A	B	C	D	J	JJ	W
AJJ433	3	3	2/0 Str.	4/0 Str.	6 $\frac{3}{8}$	4 $\frac{3}{8}$	1	4 $\frac{3}{8}$	$\frac{3}{8}$	$\frac{3}{8}$	1 $\frac{1}{8}$
AJJ444	4	4	2/0 Str.	4/0 Str.	7 $\frac{1}{8}$	5 $\frac{5}{8}$	1	5 $\frac{5}{8}$	$\frac{3}{8}$	$\frac{1}{2}$	1 $\frac{1}{8}$
AJJ533	3	3	4/0 Str.	350MCM	7 $\frac{1}{4}$	4 $\frac{3}{8}$	1 $\frac{1}{4}$	4 $\frac{3}{8}$	$\frac{3}{8}$	$\frac{3}{8}$	1 $\frac{1}{4}$
AJJ544	4	4	4/0 Str.	350MCM	8 $\frac{1}{8}$	5 $\frac{5}{8}$	1 $\frac{1}{4}$	5 $\frac{5}{8}$	$\frac{3}{8}$	$\frac{1}{2}$	1 $\frac{1}{4}$
AJJ633	3	3	350MCM	500MCM	7 $\frac{5}{8}$	4 $\frac{3}{8}$	1 $\frac{1}{8}$	4 $\frac{3}{8}$	$\frac{3}{8}$	$\frac{3}{8}$	1 $\frac{1}{8}$
AJJ644	4	4	350MCM	500MCM	8 $\frac{5}{8}$	5 $\frac{5}{8}$	1 $\frac{1}{8}$	5 $\frac{5}{8}$	$\frac{3}{8}$	$\frac{1}{2}$	1 $\frac{1}{8}$
AJJ733	3	3	500MCM	750MCM	8 $\frac{1}{8}$	4 $\frac{3}{8}$	1 $\frac{3}{4}$	4 $\frac{3}{8}$	$\frac{3}{8}$	$\frac{3}{8}$	1 $\frac{3}{8}$
AJJ744	4	4	500MCM	750MCM	9 $\frac{1}{8}$	5 $\frac{5}{8}$	1 $\frac{3}{4}$	5 $\frac{5}{8}$	$\frac{3}{8}$	$\frac{1}{2}$	1 $\frac{1}{8}$
AJJ833	3	3	750MCM	1000MCM	8 $\frac{3}{8}$	4 $\frac{3}{8}$	1 $\frac{1}{8}$	4 $\frac{3}{8}$	$\frac{1}{2}$	$\frac{3}{8}$	1 $\frac{1}{8}$
AJJ844	4	4	750MCM	1000MCM	9 $\frac{1}{8}$	5 $\frac{5}{8}$	1 $\frac{1}{8}$	5 $\frac{5}{8}$	$\frac{1}{2}$	$\frac{1}{2}$	1 $\frac{1}{8}$

- Standard tongue  $\frac{1}{4}$ " thick.
- Standard spacing between clamps is  $\frac{3}{4}$ " specify if greater spacing is required.
- Use back to back for multiple cable taps.