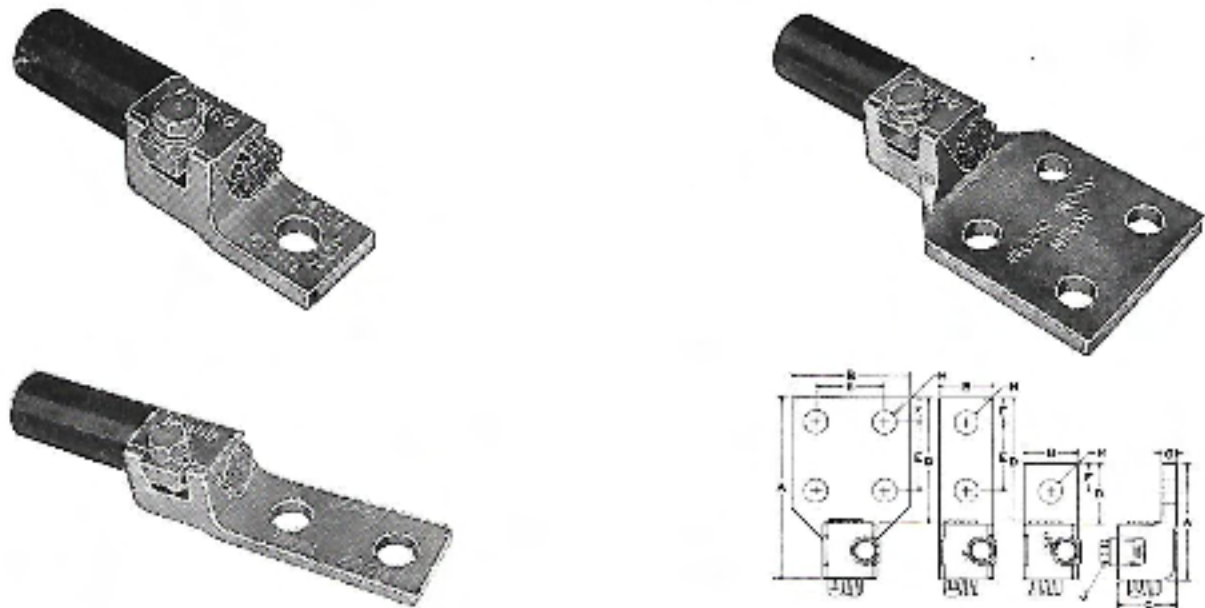


## TYPE JA

### Terminal Lug – one cable, straight



Cat. No.	Cable Range		Holes in Tongue	Dimensions in Inches									
	Min.	Max.		A	B	C	D	E	F	G	H	J	
J0A	#8 Str.	#6 Str.	1	1½	1½	¾	¾	—	¾	¾	¾	¼	
J1A	#6 Str.	#4 Str.	1	1¾	2½	¾	1¼	—	¾	¾	¾	¼	
J2A	#4 Str.	#1 Str.	1	1¾	2½	1¼	2½	—	¾	¾	¾	¾	
J2A2	#4 Str.	#1 Str.	2	2¼	2½	1¼	1½	¾	1½	¾	¾	¾	
J3A	1/0 Str.	2/0 Str.	1	1¾	2½	¾	1	—	1½	¾	¾	¾	
J3A2	1/0 Str.	2/0 Str.	2	3	2½	¾	2½	1	½	¾	¾	¾	
J4A	2/0 Str.	4/0 Str.	1	2¾	1¼	1	1¾	—	¾	¼	¾	¾	
J4A2N	2/0 Str.	4/0 Str.	2	4½	1¼	1	3¼	1¾	¾	¼	¾	¾	
J5A	4/0 Str.	350MCM	1	2¾	1½	1¼	1¾	—	2½	¾	1½	¾	
J5A2N	4/0 Str.	350MCM	2	4¾	1½	1¼	3½	1¾	¾	¾	¾	¾	
J5A4N	4/0 Str.	350MCM	4	4¾	3	1¼	3½	1¾	¾	¾	¾	¾	
J6A	350MCM	500MCM	1	3¼	1¼	1½	1¾	—	¾	¾	¾	¾	
J6A2N	350MCM	500MCM	2	4¾	1¼	1½	3¼	1¾	¾	¾	¾	¾	
J6A4N	350MCM	500MCM	4	4¾	3	1½	3¼	1¾	¾	¾	¾	¾	
J7A	500MCM	750MCM	1	3¾	1¼	1½	1½	—	¾	¾	2½	¾	
J7A2N	500MCM	750MCM	2	5¼	1¼	1½	3½	1¾	¾	¾	¾	¾	
J7A4N	500MCM	750MCM	4	5¼	3	1½	3½	1¾	¾	¾	¾	¾	
J8A	750MCM	1000MCM	1	4¾	1¼	1¼	2½	—	1	¾	1¼	½	
J8A2N	750MCM	1000MCM	2	5¾	1¼	1¼	3½	1¾	¾	¾	¾	½	
J8A4N	750MCM	1000MCM	4	5¾	3	1¼	3½	1¾	¾	¾	¾	½	

- Tabulated Dimensions are in inches and are approximate only.
- Sizes not shown available on request.
- Blank tongue available on request.
- "N" in catalog number denotes NEMA standard drilling.