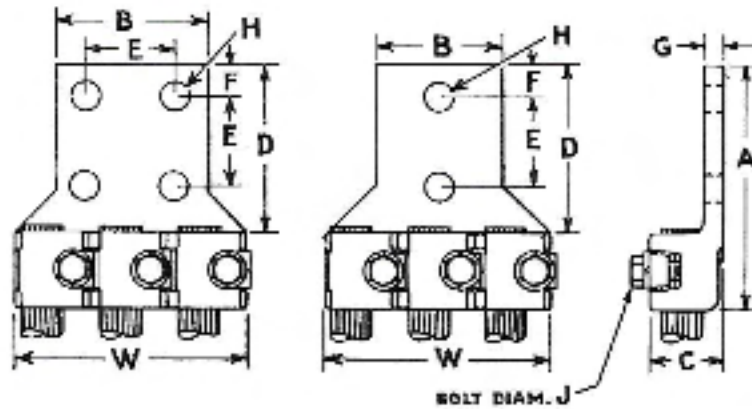
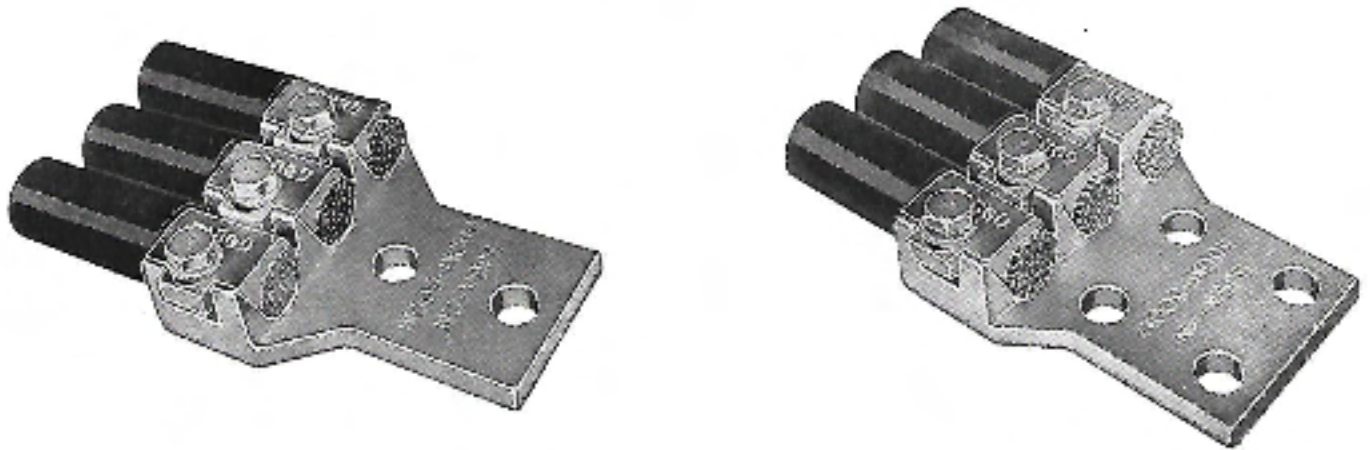


## TYPE 3JA

### Terminal Lug – three cables, straight



Cat. No.	Cable Range		Holes in Tongue	Dimensions in Inches									
	Min.	Max.		A	B	C	D	E	F	G	H	J	W
3J4A2N	2/0 Str.	4/0 Str.	2	4 $\frac{1}{2}$	1 $\frac{3}{8}$	1	3 $\frac{1}{4}$	1 $\frac{3}{4}$	$\frac{5}{8}$	$\frac{1}{4}$	$\frac{1}{16}$	$\frac{3}{16}$	3 $\frac{1}{2}$
3J4A4N	2/0 Str.	4/0 Str.	4	4 $\frac{1}{2}$	3	1	3 $\frac{1}{4}$	1 $\frac{3}{4}$	$\frac{5}{8}$	$\frac{1}{4}$	$\frac{1}{16}$	$\frac{3}{16}$	3 $\frac{1}{2}$
3J5A2N	4/0 Str.	350MCM	2	4 $\frac{3}{8}$	2 $\frac{1}{16}$	1 $\frac{1}{32}$	3 $\frac{1}{2}$	1 $\frac{3}{4}$	$\frac{5}{8}$	$\frac{3}{16}$	$\frac{1}{16}$	$\frac{3}{8}$	4
3J5A4N	4/0 Str.	350MCM	4	4 $\frac{3}{8}$	3	1 $\frac{1}{32}$	3 $\frac{1}{2}$	1 $\frac{3}{4}$	$\frac{5}{8}$	$\frac{3}{16}$	$\frac{1}{16}$	$\frac{3}{8}$	4
3J6A2N	350MCM	500MCM	2	4 $\frac{3}{4}$	2 $\frac{1}{2}$	1 $\frac{1}{32}$	3 $\frac{5}{16}$	1 $\frac{3}{4}$	$\frac{5}{8}$	$\frac{3}{8}$	$\frac{1}{16}$	$\frac{3}{8}$	4 $\frac{1}{16}$
3J6A4N	350MCM	500MCM	4	4 $\frac{3}{4}$	3	1 $\frac{1}{32}$	3 $\frac{5}{16}$	1 $\frac{3}{4}$	$\frac{5}{8}$	$\frac{3}{8}$	$\frac{1}{16}$	$\frac{3}{8}$	4 $\frac{1}{16}$
3J7A2N	500MCM	750MCM	2	5 $\frac{1}{4}$	3	1 $\frac{1}{4}$	3 $\frac{1}{32}$	1 $\frac{3}{4}$	$\frac{5}{8}$	$\frac{3}{16}$	$\frac{1}{16}$	$\frac{3}{16}$	5 $\frac{1}{4}$
3J7A4N	500MCM	750MCM	4	5 $\frac{1}{4}$	3	1 $\frac{1}{4}$	3 $\frac{1}{32}$	1 $\frac{3}{4}$	$\frac{5}{8}$	$\frac{3}{16}$	$\frac{1}{16}$	$\frac{3}{16}$	5 $\frac{1}{4}$
3J8A2N	750MCM	1000MCM	2	5 $\frac{3}{8}$	3 $\frac{1}{2}$	2	3 $\frac{3}{8}$	1 $\frac{3}{4}$	$\frac{5}{8}$	$\frac{1}{2}$	$\frac{1}{16}$	$\frac{1}{2}$	6 $\frac{1}{16}$
3J8A4N	750MCM	1000MCM	4	5 $\frac{3}{8}$	3 $\frac{1}{2}$	2	3 $\frac{3}{8}$	1 $\frac{3}{4}$	$\frac{5}{8}$	$\frac{1}{2}$	$\frac{1}{16}$	$\frac{1}{2}$	6 $\frac{1}{16}$

- Tabulated Dimensions are in inches and are approximate only.
- Sizes not shown available on request.
- Blank tongue available on request.
- "N" in catalog number denotes NEMA standard drilling.