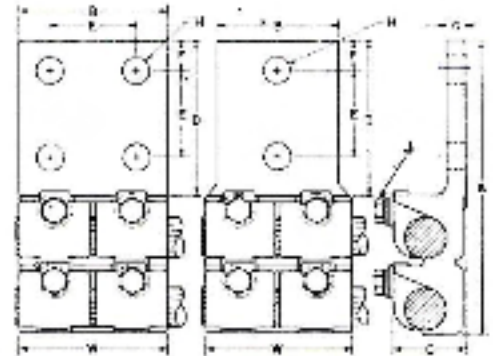
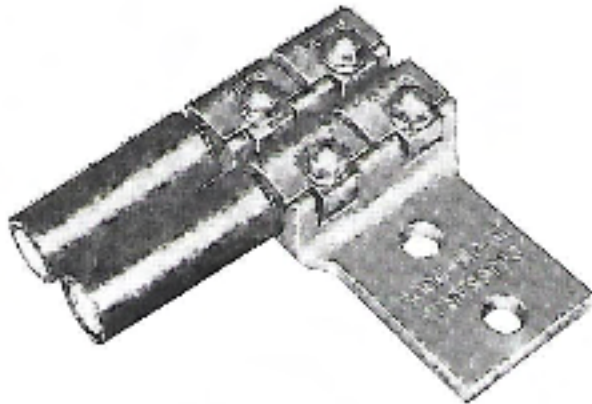


TYPE 2JJAR

Terminal Lug – two cables, 90°



Cat. No.	Cable Range		Holes in Tongue	Dimensions in inches									
	Min.	Max.		A	B	C	D	E	F	G	H	J	W
2JJ2AR2	¼ Str.	1 Str.	2	3¼	1⅝	¾	2	1	⅙	⅜	⅝	⅙	1⅛
2JJ2AR2N	¼ Str.	1 Str.	2	4¾	1⅝	¾	3	1¾	⅝	⅜	⅝	⅙	1⅛
2JJ3AR2	1/0 Str.	2/0 Str.	2	4	1⅞	⅞	2	1	⅙	¼	⅝	⅙	2⅞
2JJ3AR2N	1/0 Str.	2/0 Str.	2	5½	1⅞	⅞	3⅛	1¾	⅝	¼	⅝	⅙	2⅞
2JJ4AR2N	2/0 Str.	4/0 Str.	2	5⅝	1⅞	1	3¼	1¾	⅝	¼	⅝	⅙	2⅞
2JJ4AR4N	2/0 Str.	4/0 Str.	4	5⅝	3	1	3¼	1¾	⅝	¼	⅝	⅙	2⅞
2JJ5AR2N	4/0 Str.	350MCM	2	5⅞	2⅝	1¼	3⅝	1¾	⅝	⅝	⅝	⅙	2¾
2JJ5AR4N	4/0 Str.	350MCM	4	5⅞	3	1¼	3⅝	1¾	⅝	⅝	⅝	⅙	2¾
2JJ6AR2N	350MCM	500MCM	2	6⅞	2½	1¼	3⅞	1¾	⅝	⅝	⅝	⅙	3¼
2JJ6AR4N	350MCM	500MCM	4	6⅞	3	1¼	3⅞	1¾	⅝	⅝	⅝	⅙	3¼
2JJ7AR2N	500MCM	750MCM	2	6⅞	3	1¾	3⅞	1¾	⅝	⅝	⅝	⅙	3¾
2JJ7AR4N	500MCM	750MCM	4	6⅞	3	1¾	3⅞	1¾	⅝	⅝	⅝	⅙	3¾
2JJ8AR2N	750MCM	1000MCM	2	7⅞	3⅝	1⅝	3⅞	1¾	⅝	½	⅝	½	4⅞
2JJ8AR4N	750MCM	1000MCM	4	7⅞	3⅝	1⅝	3⅞	1¾	⅝	½	⅝	½	4⅞

- Tabulated Dimensions are in inches and are approximate only.
- Sizes not shown available on request.
- Blank tongue available on request.
- "N" in catalog number denotes NEMA standard drilling.