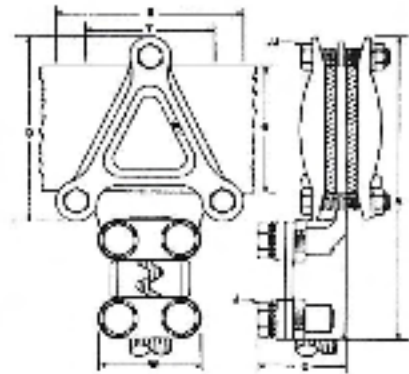
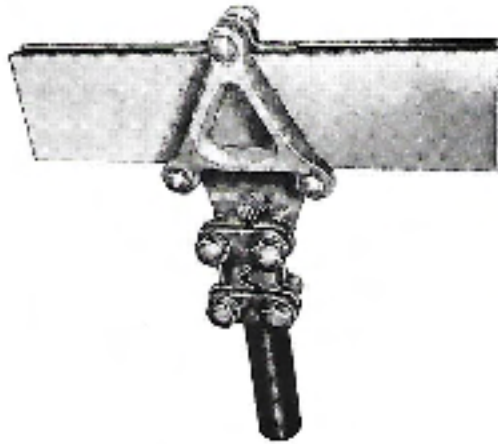


TYPE AP

Bar Tap



Cat. No.	Width of Bus Bars		Cable Range		L. P. S.	Dimensions in Inches						
	R	T	Min.	Max.		A	B	C	D	J	JJ	W
AP433	3	3	2/0 Str.	350MCM	$\frac{3}{8}$	$7\frac{1}{8}$	$4\frac{3}{8}$	$1\frac{3}{4}$	$4\frac{1}{8}$	$\frac{1}{2}$	$\frac{3}{8}$	$2\frac{3}{8}$
AP444	4	4	2/0 Str.	350MCM	$\frac{3}{8}$	$8\frac{3}{8}$	$5\frac{3}{8}$	$1\frac{3}{4}$	$5\frac{3}{8}$	$\frac{1}{2}$	$\frac{1}{2}$	$2\frac{3}{8}$
AP533	3	3	350MCM	600MCM	$\frac{1}{2}$	$7\frac{3}{8}$	$4\frac{3}{8}$	$1\frac{1}{2}$	$4\frac{3}{8}$	$\frac{1}{2}$	$\frac{3}{8}$	$2\frac{1}{8}$
AP544	4	4	350MCM	600MCM	$\frac{1}{2}$	$8\frac{3}{8}$	$5\frac{3}{8}$	$1\frac{1}{2}$	$5\frac{3}{8}$	$\frac{1}{2}$	$\frac{1}{2}$	$2\frac{1}{8}$
AP633	3	3	600MCM	1000MCM	$\frac{3}{4}$	$7\frac{3}{8}$	$4\frac{3}{8}$	$2\frac{1}{8}$	$4\frac{3}{8}$	$\frac{1}{2}$	$\frac{3}{8}$	$2\frac{1}{8}$
AP644	4	4	600MCM	1000MCM	$\frac{3}{4}$	$8\frac{3}{8}$	$5\frac{3}{8}$	$2\frac{1}{8}$	$5\frac{3}{8}$	$\frac{1}{2}$	$\frac{1}{2}$	$2\frac{1}{8}$
AP733	3	3	1000MCM	1500MCM	1	$7\frac{3}{8}$	$4\frac{3}{8}$	$2\frac{7}{8}$	$4\frac{3}{8}$	$\frac{1}{2}$	$\frac{3}{8}$	$2\frac{1}{8}$
AP744	4	4	1000MCM	1500MCM	1	$8\frac{3}{8}$	$5\frac{3}{8}$	$2\frac{7}{8}$	$5\frac{3}{8}$	$\frac{1}{2}$	$\frac{1}{2}$	$2\frac{1}{8}$
AP833	3	3	1500MCM	2000MCM	$1\frac{1}{4}$	$7\frac{3}{4}$	$4\frac{3}{8}$	3	$4\frac{3}{8}$	$\frac{1}{2}$	$\frac{3}{8}$	$3\frac{1}{8}$
AP844	4	4	1500MCM	2000MCM	$1\frac{1}{4}$	9	$5\frac{3}{8}$	3	$5\frac{3}{8}$	$\frac{1}{2}$	$\frac{1}{2}$	$3\frac{1}{8}$

- Tongue thickness is $\frac{3}{4}$ " up to and including 1000MCM. Tongues are thicker on larger sizes and require mounting on outside of bus bars.
- Standard spacing between clamps is $\frac{3}{4}$ " specify if greater spacing is required.
- Use back to back for multiple cable taps.